

Belliss & Morcom

Gardner
Denver

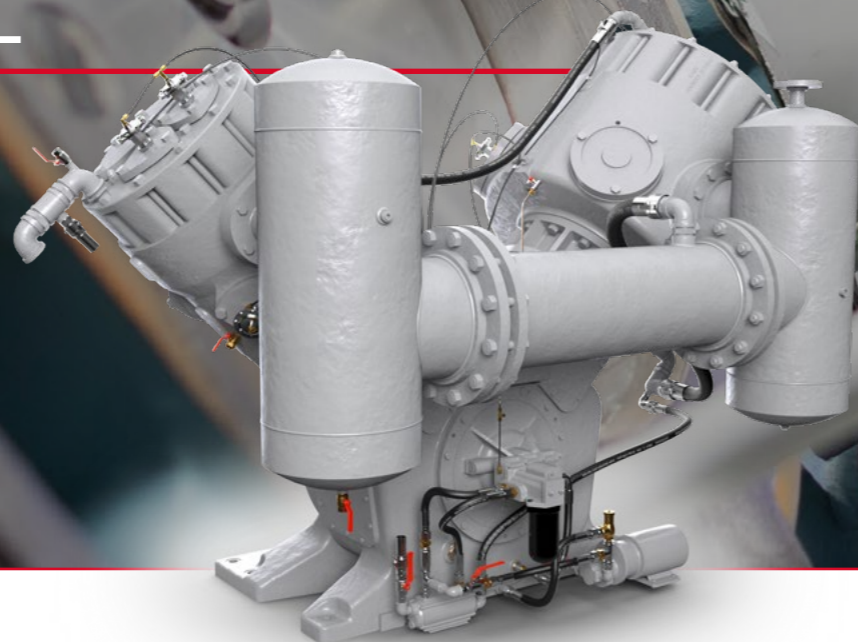
HIGH PRESSURE SOLUTIONS

The background image shows a complex industrial environment with large, polished metal pipes and machinery. A semi-transparent blue circuit board is overlaid on the lower right portion of the image. A red vertical line is on the left side, and a red horizontal line is below the main text.

THE SMART CHOICE

4-15 Bar Oil Free Air Compressors
for Industrial Applications

THE SMART CHOICE



Belliss & Morcom V250-4012N-CO2

WHERE AIR QUALITY IS VITAL, OIL FREE COMPRESSORS OFFER THE ULTIMATE PEACE OF MIND. THE UNIQUE BELLISS & MORCOM RECIPROCATING SOLUTION MAXIMISES PROFITABILITY THROUGH EFFICIENCY AND RELIABILITY, THAT'S WHY WE'RE THE SMART CHOICE.

EFFICIENT. RELIABLE. TRUSTED

Maximising Profitability through reduced Total Cost of Ownership

BUILT TO LAST

Building on over 150 years of experience and innovation, every Belliss & Morcom compressor is engineered from the ground up, to deliver outstanding levels of efficiency, quality and performance.

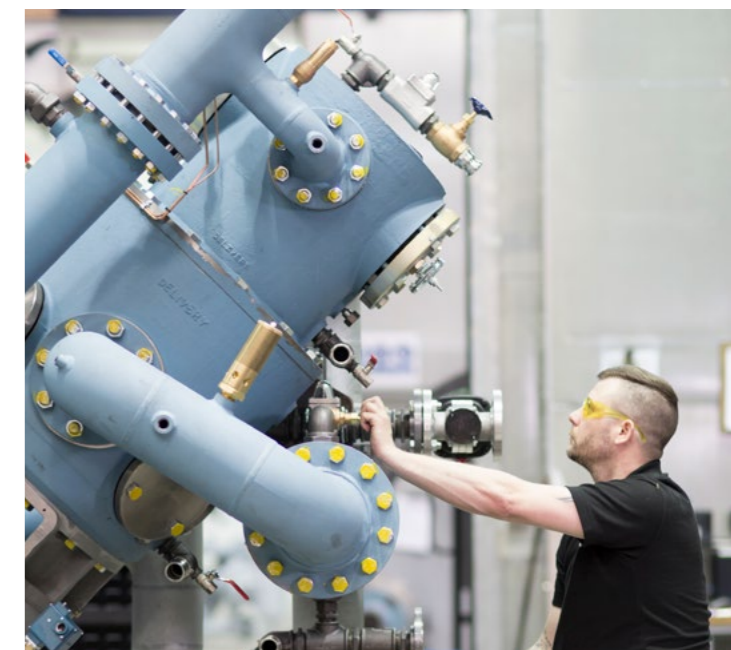
In today's competitive world, every efficiency-gain and cost-saving matters; every deliverable matters; every second of every production run matters; and every cubic metre of compressed air matters.

That's why, as world leaders in compressor technology, every detail of equipment design, specification and manufacturing matters to us.

WHY OUR EXPERTISE MATTERS

Building on decades of innovation, every Belliss & Morcom compressor is engineered from top to bottom to maximise profitability through outstanding levels of efficiency and reliability.

A combination of unique design features and engineering refinements adds up to real advantages for our customers - including reduced energy consumption, greater uptime, lower total cost, and the proven reliability of air delivery, when the pressure is on.



YOUR EFFICIENT CHOICE

THE VALUED CHOICE

THE ORIGINAL RECIPROCATING TECHNOLOGY, REFINED AND DEVELOPED WITHOUT COMPROMISING OUR HIGH STANDARDS - BELLISS & MORCOM'S UNRIVALLED RANGE OF DOUBLE ACTING PISTON COMPRESSORS OFFER MARKET LEADING EFFICIENCY, RELIABILITY, AND LONGEVITY.

RECIPROCATING COMPRESSORS, DELIVERING LOWER ENERGY COSTS

Lowest total cost of ownership delivers a tangible return on investment

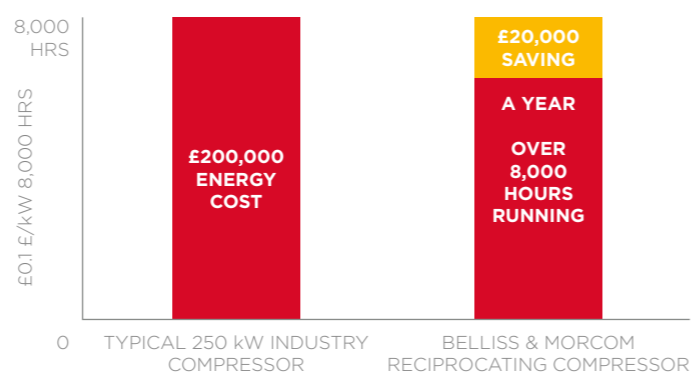
Industry spends more money on the energy to power its compressed air systems, than on any other part of the manufacturing and process applications. 10% of all electricity used in industry is used to power compressed air systems.

With energy use accounting for roughly 80% of the total cost over the life of the compressor, creating energy efficient solutions for industrial use is a priority at Belliss & Morcom.

Reciprocating air compressors offer up to 10% lower energy consumption than a comparable screw compressor through lower specific power requirements and more efficient load and unload.

Let's look at some of the numbers...

Running a 250kW compressor for 8,000 hours per year will cost £200,000 (assuming 0.1 £/kWhr), reducing compressor power by only 1% will save £2,000. This explains the money spent in R&D across industry looking for marginal efficiency gains. However, by moving to a double acting reciprocating piston design the Belliss and Morcom range of oil free compressors achieves a step change of up to 10% over typical industrial compressors, increasing your annual saving up to £20,000.



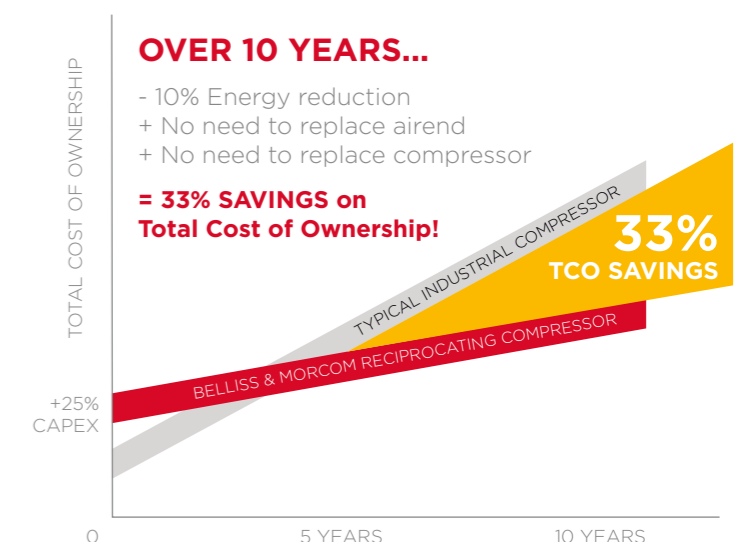
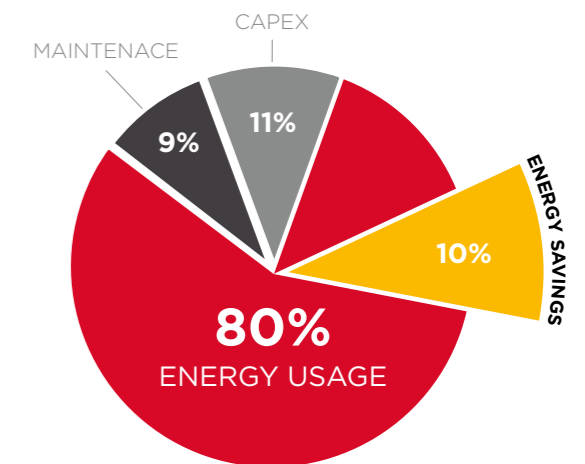
For industrial applications that demand high pressure air, making the switch to reciprocating compressors will deliver not only increased energy efficiency leading to tangible cost savings, but also a lower total cost of ownership (TCO) through solutions designed with longevity in mind - all part of our commitment to outstanding build quality and dependability. With machine life of up to 25 years without major overhaul, your ongoing CAPEX exposure is severely reduced.

THE BELLISS & MORCOM ADVANTAGE

All wearing parts are designed for ease of maintenance, and there is no air end to replace. Build in regular and scheduled maintenance for ease of budgeting, on compressors developed with wear reduction and ease of access in mind, and you have an installation that provides reduced downtime over the life of the compressor. Our high pressure compressors are designed to operate for 8,000 hours between service which delivers total peace of mind.

Belliss & Morcom high pressure compressors for industrial applications - long lasting and trusted technology delivering the ultimate energy efficiencies and significantly lower total cost of ownership. Why wouldn't you?

Delivering superior energy efficiency, increased reliability, and a lifespan of up to 25 years without major overhaul, Belliss & Morcom compressors offer minimum total cost of ownership.

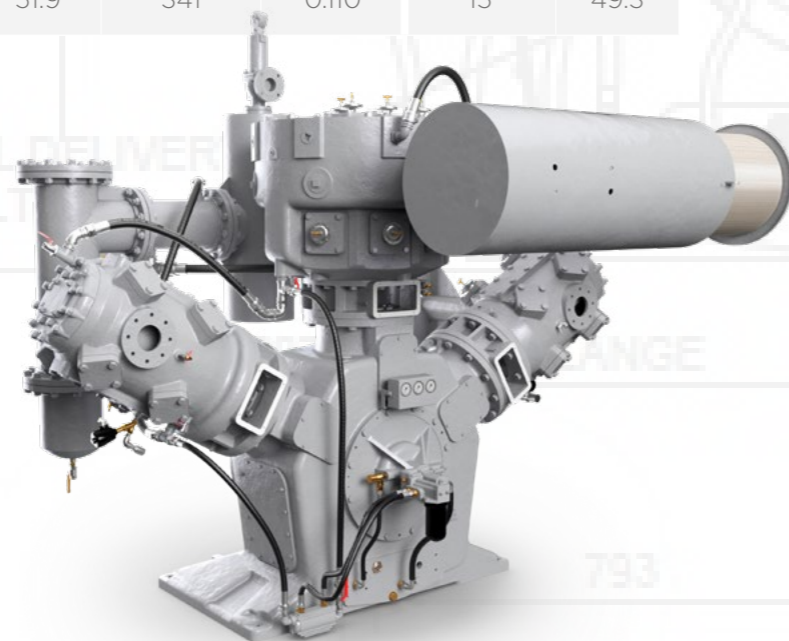


THE TRUSTED CHOICE

BELLISS & MORCOM RANGE PERFORMANCE DATA

With a wide range of performance options, ensuring integration with a variety of systems, you can be sure that Belliss & Morcom have the industrial solutions to fit your requirements.

MODEL	DELIVERY PRESSURE	FLOW RATE	DELIVERY PRESSURE	FLOW RATE	ABSORBED POWER	SPECIFIC POWER	DELIVERY PRESSURE	FLOW RATE
	barg	m ³ /min	barg	m ³ /min	kW	kWhr/m ³	barg	m ³ /min
V8-2N	4	8.0	10	7.7	50	0.109	12	7.5
V10-2N	4	10.0	10	9.5	62	0.109	12	9.3
V18-2N	4	18.1	10	17.3	111	0.107	12	17.0
V28-2N	4	28.8	10	27.4	175	0.106	13	27.0
V40-2N	4	39.0	10	36.9	230	0.104	15	35.3
W56-2N	5	54.7	10	51.9	341	0.110	15	49.3



THE SMART CHOICE



THE POWER OF ONE

ONEAIR FROM GARDNER DENVER – A SINGLE SOURCE INDUSTRIAL AIR SOLUTION THAT MAKES A REAL DIFFERENCE.

THE POWER OF ONE

The benefits of working with Gardner Denver as a single source supplier for all your industrial air needs, can be broken down into 4 key areas:

LOWER COSTS

Dealing with a single source supplier provides opportunities to leverage better agreements – not only making commercial sense, but also allowing for terms to be negotiated that meet your unique requirements across the whole of your business. A single supplier relationship also allows for the streamlining of administration, which saves time and in turn cuts costs.

INTUITIVE PARTNERSHIP

Long-term meaningful relationships improve operational and cost efficiencies and promote understanding and teamwork. This type of close collaboration delivers a higher level of knowledge and a greater level of expertise to your partner, leading to an enhanced and proactive service that will impact your bottom line.

OPTIMISED MAINTENANCE

Reduced lead times for spare parts and servicing, coupled with maintenance analysis and monitoring to improve efficiencies across your whole installation and decrease the risk of downtime. A single service contract ensures that maintenance is carried out in a timely and efficient manner and puts you in control.

CHOICE

Just because you are dealing with a single source supplier, doesn't mean that your options are restricted. On the contrary. Gardner Denver designs, manufactures, delivers, warranties and services the broadest range of compressors and vacuum products in a wide range of technologies, to end-user and OEM customers worldwide. Switch to OneAir from Gardner Denver and enjoy increased innovation and choice.

Collaborating with a single source supplier can help reduce costs, streamline administrative processes and improve operational efficiencies – even helping to drive innovation and growth.

OneAir delivers a simplified supplier/customer relationship for all industrial air requirements. This results in reduced lead times, lower administration costs and easier servicing and maintenance for the customer, alongside bespoke agreement terms, operational and cost efficiencies, and stronger, mutually beneficial long-term relationships.

BellissMorcom

THE SMART CHOICE

4-15 Bar Oil Free Air Compressors for Industrial Applications

BUILT TO LAST

Whatever details matter to you, Belliss & Morcom compressors are designed to meet your exacting needs. Engineered for performance, our machines are built to maximise your profitability through, efficiency, reliability and longevity.

EFFICIENCY

- Up to 10% energy reduction vs typical industrial compressor
- Savings of up to £20,000 a year

LONGEVITY

- 25 year + design life without major overhaul
- 8,000 hour service intervals
- Designed for ease of maintenance

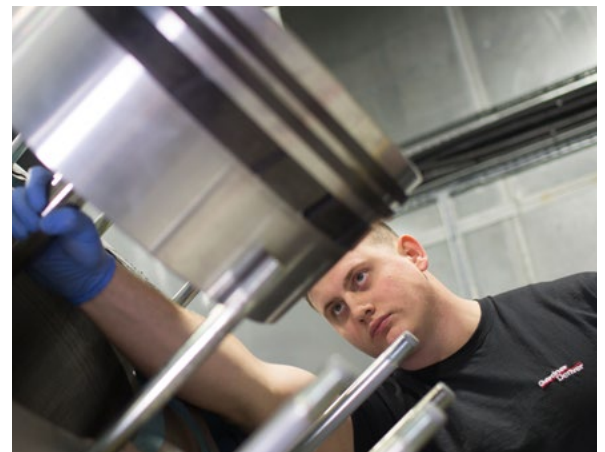
TOTAL COST OF OWNERSHIP

- Up to 33% TCO saving in 10 years
- No air end replacement

WE HAVE HISTORY

For more than 155 years, Gardner Denver has been a leading global provider of compressors, blowers and vacuum pumps. OEMs and end-users from every corner of the world rely on us for their business solutions.

With global teamwork, strong customer focus, and vast application knowledge, our brands provide reliable, energy-efficient products that serve a wide range of manufacturing and process industries.



CONTACT US TODAY:

GARDNER DENVER LTD

Claybrook Drive, Redditch, Worcestershire, B98 0DS, UK

T: +44 (0) 1527 838 600 | **F:** +44 (0) 1527 838 630

E: highpressure@gardnerdenver.com

www.gardnerdenver.com/highpressure

